



**Flange Drilling**

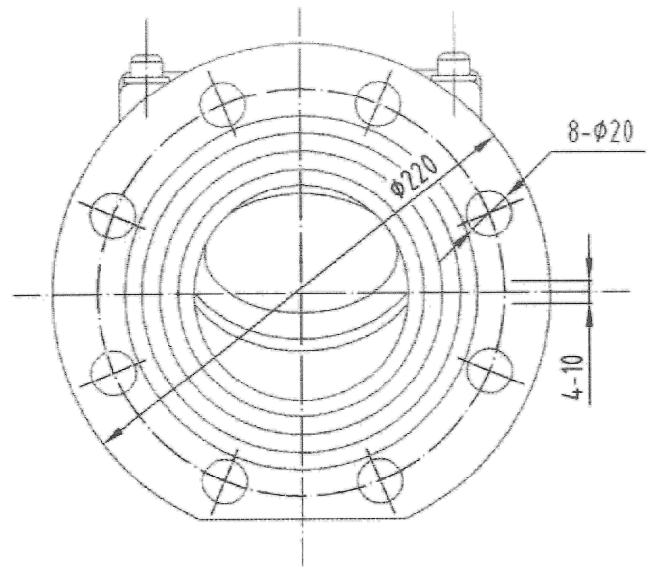
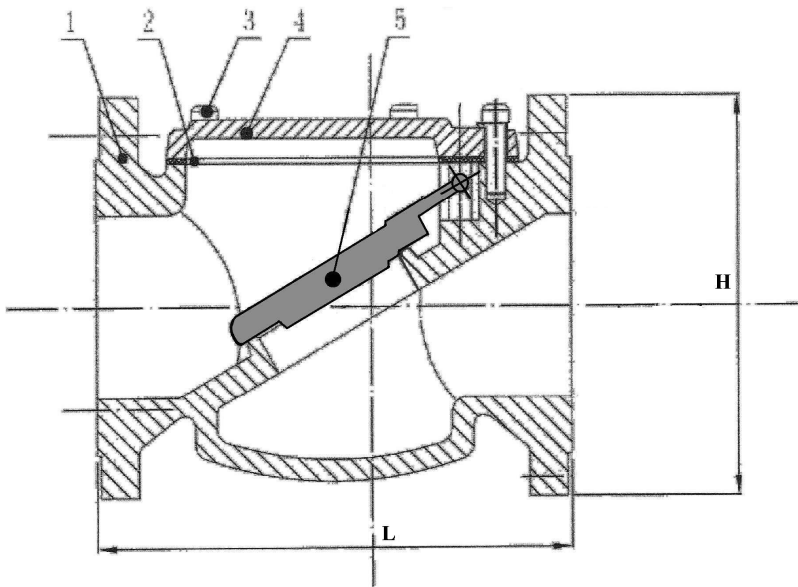
**BS 4504 PN16,  
other standard on request**

**Coating**

**High solid epoxy coating  
standard, other coating on  
request**

**Properties**

**Removable cover on top of  
valve body casing for easy  
inspection of bearings and  
movement of door.**



**SPECIFICATIONS**

No	Part	Material Description
1	Body	Ductile Iron, BS EN 1563 Grade 500/7
2	Gasket	EPDM, BS 2494 Type W / MS 672: 99
3	Cap Bolt	Stainless Steel 304
4	Bonnet	Ductile Iron, BS EN 1563 Grade 500/7
5	Disc	EPDM, BS 2494 Type W / MS 672: 99

**DIMENSIONS & WEIGHTS**

DN	H	L
80	200	241
100	220	292
150	285	356
200	340	495
250	405	622

**Sales Office :**

**TEK VALVE (M) SDN. BHD.** (Company No : 524990-A)

PT 22432, Lot Asal 6535, Sungai Puloh, Batu 5 1/2,  
Jalan Kapar, 42450 Klang, Selangor Darul Ehsan.

Tel : (006) 03-3291 3963

Fax:(006) 03-3290 5126

E-mail: tekvalve@yahoo.com